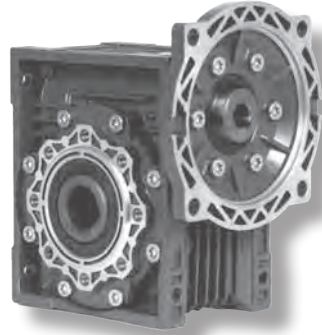


# WORLDWIDE GEAR REDUCERS

## Worm Gear Reducers

### Aluminum Worm Gear Reducers

#### Product Overview



#### Product Overview

- 7.5:1 - 100:1 ratios
- Box sizes 30 - 90
- Aluminum alloy housing for light weight design
- Hardened worm shaft for increased durability
- Two bearings on input and output shafts
- NEMA motor input flanges
- All units filled with synthetic oil
- No vent plug or breather needed - maintenance free reducer
- Double lip oil seals prevent leakage
- Multiple mounting holes for all angle mounts
- Epoxy paint applied to inside and outside of reducer to protect against rust
- Hollow output bores with plug-in output shafts
- 1 year warranty

Ratio C	Output RPM @ 1800 RPM Input	WCD Center (mm)	HP	NEMA Motor Frame	Approx. Wt. (lbs.)	Model Number	Alternate Model Number	List Price
7.5:1	233	30	0.69	56C	3	ALM30-7.5/1-56C	HALM30-7.5/1-56C	
		40	1.5	56C	5	ALM40-7.5/1-56C	HALM40-7.5/1-56C	
		50	2.64	56C	8	ALM50-7.5/1-56C	HALM50-7.5/1-56C	
		63	4.76	56C	13	ALM63-7.5/1-56C	HALM63-7.5/1-56C	
		63	4.76	145TC	13	ALM63-7.5/1-145TC	HALM63-7.5/1-145TC	
		75	6.8	56C	19	ALM75-7.5/1-56C	HALM75-7.5/1-56C	
		75	6.8	145TC	19	ALM75-7.5/1-145TC	HALM75-7.5/1-145TC	
		75	6.8	182/4TC	19	ALM75-7.5/1-182/4TC	HALM75-7.5/1-182/4TC	
		90	10.56	56C	28	ALM90-7.5/1-56C	HALM90-7.5/1-56C	
		90	10.56	145TC	28	ALM90-7.5/1-145TC	HALM90-7.5/1-145TC	
90	10.56	182/4TC	28	ALM90-7.5/1-182/4TC	HALM90-7.5/1-182/4TC			
10:1	175	30	0.54	56C	3	ALM30-10/1-56C	HALM30-10/1-56C	
		40	1.15	56C	5	ALM40-10/1-56C	HALM40-10/1-56C	
		50	2.06	56C	8	ALM50-10/1-56C	HALM50-10/1-56C	
		63	3.67	56C	13	ALM63-10/1-56C	HALM63-10/1-56C	
		63	3.67	145TC	13	ALM63-10/1-145TC	HALM63-10/1-145TC	
		75	5.44	56C	19	ALM75-10/1-56C	HALM75-10/1-56C	
		75	5.44	145TC	19	ALM75-10/1-145TC	HALM75-10/1-145TC	
		75	5.44	182/4TC	19	ALM75-10/1-182/4TC	HALM75-10/1-182/4TC	
		90	8.56	56C	28	ALM90-10/1-56C	HALM90-10/1-56C	
		90	8.56	145TC	28	ALM90-10/1-145TC	HALM90-10/1-145TC	
90	8.56	182/4TC	28	ALM90-10/1-182/4TC	HALM90-10/1-182/4TC			
15:1	117	30	0.38	56C	3	ALM30-15/1-56C	HALM30-15/1-56C	
		40	0.8	56C	5	ALM40-15/1-56C	HALM40-15/1-56C	
		50	1.47	56C	8	ALM50-15/1-56C	HALM50-15/1-56C	
		63	2.76	56C	13	ALM63-15/1-56C	HALM63-15/1-56C	
		63	2.76	145TC	13	ALM63-15/1-145TC	HALM63-15/1-145TC	
		75	3.86	56C	19	ALM75-15/1-56C	HALM75-15/1-56C	
		75	3.86	145TC	19	ALM75-15/1-145TC	HALM75-15/1-145TC	
		75	3.86	182/4TC	19	ALM75-15/1-182/4TC	HALM75-15/1-182/4TC	
		90	6.86	56C	28	ALM90-15/1-56C	HALM90-15/1-56C	
		90	6.86	145TC	28	ALM90-15/1-145TC	HALM90-15/1-145TC	
90	6.86	182/4TC	28	ALM90-15/1-182/4TC	HALM90-15/1-182/4TC			
20:1	88	30	0.3	56C	3	ALM30-20/1-56C	HALM30-20/1-56C	
		40	0.61	56C	5	ALM40-20/1-56C	HALM40-20/1-56C	
		50	1.13	56C	8	ALM50-20/1-56C	HALM50-20/1-56C	
		63	2.04	56C	13	ALM63-20/1-56C	HALM63-20/1-56C	
		63	2.04	145TC	13	ALM63-20/1-145TC	HALM63-20/1-145TC	
		75	3.14	56C	19	ALM75-20/1-56C	HALM75-20/1-56C	
		75	3.14	145TC	19	ALM75-20/1-145TC	HALM75-20/1-145TC	
		90	5.18	56C	28	ALM90-20/1-56C	HALM90-20/1-56C	
		90	5.18	145TC	28	ALM90-20/1-145TC	HALM90-20/1-145TC	
		90	5.18	182/4TC	28	ALM90-20/1-182/4TC	HALM90-20/1-182/4TC	

Continued On Next Page

WORM GEAR REDUCERS  
ALUMINUM



# WORLDWIDE GEAR REDUCERS

## Worm Gear Reducers

### Aluminum Worm Gear Reducers

#### Product Overview



Ratio C	Output RPM @ 1800 RPM Input	WCD Center (mm)	HP	NEMA Motor Frame	Approx. Wt. (lbs.)	Model Number	Alternate Model Number	List Price
25:1	70	30	0.3	56C	3	ALM30-25/1-56C	HALM30-25/1-56C	
		40	0.5	56C	5	ALM40-25/1-56C	HALM40-25/1-56C	
		50	0.91	56C	8	ALM50-25/1-56C	HALM50-25/1-56C	
		63	1.64	56C	13	ALM63-25/1-56C	HALM63-25/1-56C	
		75	2.45	56C	19	ALM75-25/1-56C	HALM75-25/1-56C	
		75	2.45	145TC	19	ALM75-25/1-145TC	HALM75-25/1-145TC	
		90	4.09	56C	28	ALM90-25/1-56C	HALM90-25/1-56C	
		90	4.09	145TC	28	ALM90-25/1-145TC	HALM90-25/1-145TC	
30:1	58	30	0.25	56C	3	ALM30-30/1-56C	HALM30-30/1-56C	
		40	0.53	56C	5	ALM40-30/1-56C	HALM40-30/1-56C	
		50	0.95	56C	8	ALM50-30/1-56C	HALM50-30/1-56C	
		63	1.76	56C	13	ALM63-30/1-56C	HALM63-30/1-56C	
		75	2.48	56C	19	ALM75-30/1-56C	HALM75-30/1-56C	
		90	4.32	56C	28	ALM90-30/1-56C	HALM90-30/1-56C	
		90	4.32	145TC	28	ALM90-30/1-145TC	HALM90-30/1-145TC	
		90	4.32	182/4TC	28	ALM90-30/1-182/4TC	HALM90-30/1-182/4TC	
40:1	44	30	0.19	56C	3	ALM30-40/1-56C	HALM30-40/1-56C	
		40	0.39	56C	5	ALM40-40/1-56C	HALM40-40/1-56C	
		50	0.7	56C	8	ALM50-40/1-56C	HALM50-40/1-56C	
		63	1.26	56C	13	ALM63-40/1-56C	HALM63-40/1-56C	
		75	1.88	56C	19	ALM75-40/1-56C	HALM75-40/1-56C	
		90	2.95	56C	28	ALM90-40/1-56C	HALM90-40/1-56C	
		90	2.95	145TC	28	ALM90-40/1-145TC	HALM90-40/1-145TC	
		50:1	35	30	0.14	56C	3	ALM30-50/1-56C
40	0.31			56C	5	ALM40-50/1-56C	HALM40-50/1-56C	
50	0.57			56C	8	ALM50-50/1-56C	HALM50-50/1-56C	
63	1.01			56C	13	ALM63-50/1-56C	HALM63-50/1-56C	
75	1.5			56C	19	ALM75-50/1-56C	HALM75-50/1-56C	
90	2.33			56C	28	ALM90-50/1-56C	HALM90-50/1-56C	
90	2.33			145TC	28	ALM90-50/1-145TC	HALM90-50/1-145TC	
60:1	29			30	0.12	56C	3	ALM30-60/1-56C
		40	0.25	56C	5	ALM40-60/1-56C	HALM40-60/1-56C	
		50	0.46	56C	8	ALM50-60/1-56C	HALM50-60/1-56C	
		63	0.86	56C	13	ALM63-60/1-56C	HALM63-60/1-56C	
		75	1.26	56C	19	ALM75-60/1-56C	HALM75-60/1-56C	
		90	1.9	56C	28	ALM90-60/1-56C	HALM90-60/1-56C	
80:1	22	30	0.09	56C	3	ALM30-80/1-56C	HALM30-80/1-56C	
		40	0.19	56C	5	ALM40-80/1-56C	HALM40-80/1-56C	
		50	0.38	56C	8	ALM50-80/1-56C	HALM50-80/1-56C	
		63	0.67	56C	13	ALM63-80/1-56C	HALM63-80/1-56C	
		75	0.97	56C	19	ALM75-80/1-56C	HALM75-80/1-56C	
		90	1.39	56C	28	ALM90-80/1-56C	HALM90-80/1-56C	
100:1	17.5	30	0.06	56C	3	ALM30-100/1-56C	HALM30-100/1-56C	
		40	0.15	56C	5	ALM40-100/1-56C	HALM40-100/1-56C	
		50	0.28	56C	8	ALM50-100/1-56C	HALM50-100/1-56C	
		63	0.57	56C	13	ALM63-100/1-56C	HALM63-100/1-56C	
		75	0.80	56C	19	ALM75-100/1-56C	HALM75-100/1-56C	
		90	1.12	56C	28	ALM90-100/1-56C	HALM90-100/1-56C	

WORM GEAR REDUCERS  
ALUMINUM



# WORLDWIDE GEAR REDUCERS

## Worm Gear Reducers

### Aluminum Worm Gear Reducers

#### Mechanical Ratings



Input Speed		1750 RPM				
Box Size	Ratio	Mechanical (1.0 SF)			Efficiency (%)	O.H.L. (lbs.)
		Input HP	Output Torque (lbs. in.)	Output Speed		
30	7.5:1	0.69	150	233	82	129
	10:1	0.54	150	175	80	142
	15:1	0.38	150	117	73	163
	20:1	0.30	150	88	72	179
	25:1	0.30	186	70	68	193
	30:1	0.25	177	58	62	205
	40:1	0.19	150	44	55	225
	50:1	0.14	142	35	52	243
	60:1	0.12	142	29	46	259
	80:1	0.09	106	22	40	284
100:1	0.06	88	17.5	45	310	
40	7.5:1	1.50	354	233	85	253
	10:1	1.15	354	175	83	279
	15:1	0.80	354	117	79	319
	20:1	0.61	345	88	78	350
	25:1	0.50	327	70	75	378
	30:1	0.53	389	58	68	403
	40:1	0.39	363	44	65	441
	50:1	0.31	336	35	62	476
	60:1	0.25	319	29	56	507
	80:1	0.19	283	22	50	556
100:1	0.15	257	18	47	595	
50	7.5:1	2.64	619	233	86	369
	10:1	2.06	628	175	84	406
	15:1	1.47	655	117	80	464
	20:1	1.13	646	88	78	510
	25:1	0.91	611	70	75	551
	30:1	0.95	734	58	70	586
	40:1	0.70	664	44	65	643
	50:1	0.57	646	35	60	694
	60:1	0.46	602	29	57	739
	80:1	0.38	566	22	50	810
100:1	0.28	487	18	46	866	
63	7.5:1	4.76	1133	233	87	463
	10:1	3.67	1141	175	86	510
	15:1	2.76	1239	117	82	583
	20:1	2.04	1186	88	80	641
	25:1	1.64	1141	70	76	692
	30:1	1.76	1416	58	73	736
	40:1	1.26	1274	44	70	807
	50:1	1.01	1186	35	63	871
	60:1	0.86	1141	29	59	928
	80:1	0.67	1071	22	53	1017
100:1	0.57	1035	18	48	1088	
75	7.5:1	6.80	1628	233	88	549
	10:1	5.44	1717	175	86	604
	15:1	3.886	1770	117	84	691
	20:1	3.14	1849	88	79	759
	25:1	2.45	1770	70	76	820
	30:1	2.48	2026	58	72	873
	40:1	1.88	1947	44	68	957
	50:1	1.50	1849	35	66	1033
	60:1	1.26	1770	29	62	1099
	80:1	0.97	1672	22	58	1205
100:1	0.80	1593	18	52	1289	
90	7.5:1	10.56	2557	233	86	631
	10:1	8.56	2734	175	85	694
	15:1	6.86	3177	117	82	794
	20:1	5.18	3132	88	81	873
	25:1	4.09	3000	70	81	942
	30:1	4.32	3619	58	75	1003
	40:1	2.95	3177	44	72	1100
	50:1	2.33	3000	35	71	1187
	60:1	1.90	2823	29	65	1264
	80:1	1.39	2522	22	61	1386
100:1	1.12	2380	18	57	1482	

WORM GEAR REDUCERS  
ALUMINUM

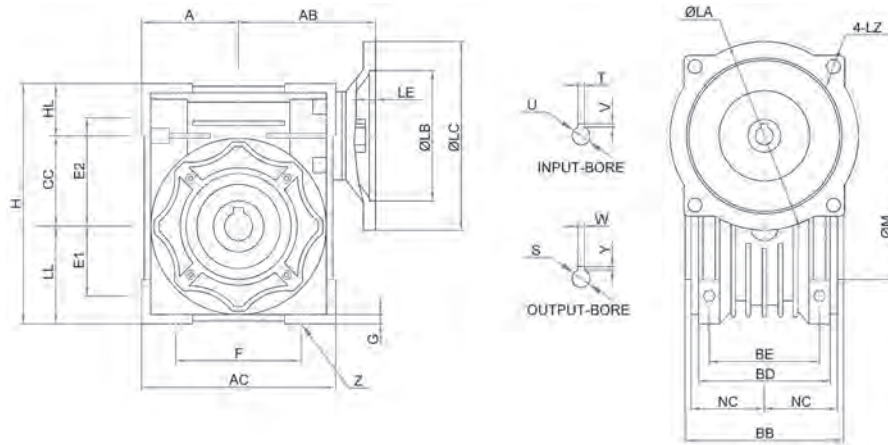


# WORLDWIDE GEAR REDUCERS

## Worm Gear Reducers

### Aluminum Worm Gear Reducers

#### Dimensions



ALL DIMENSIONS IN MILLIMETERS

Box Size	NEMA Frame	A	AB	AC	BB	BD	BE	CC	E1	E2	F	G	H	HL	LL	M
30	56C	40	70	80	63	56	44	30	27	44	54	5.5	97	27	40	55
40	56C	50	87.8	100	78	71	60	40	35	55	70	6.5	121.5	31.5	50	60
50	56C	60	87	120	92	85	70	50	40	64	80	7	144	34	60	70
63	56C	72	95	144	112	103	85	63	50	80	100	8	174	39	72	80
	145TC	72	95	144	112	103	85	63	50	80	100	8	174	39	72	80
75	56C	86	112.5	172	120	112	90	75	60	93	120	10	205	44	86	95
	145TC	86	112.5	172	120	112	90	75	60	93	120	10	205	44	86	95
	182/4TC	86	112.5	172	120	112	90	75	60	93	120	10	205	44	86	95
90	56C	103	129.5	208	140	130	100	90	70	102	140	11	238	45	103	110
	145TC	103	129.5	208	140	130	100	90	70	102	140	11	238	45	103	110
	182/4TC	103	129.5	208	140	130	100	90	70	102	140	11	238	45	103	110

Box Size	NEMA Frame	NC	Z	INPUT BORE (Inches)		OUTPUT BORE (Inches)		FLANGE (Inches)				
				U	T x V	S	W x Y	LA	LB	LC	LE	LZ
30	56C	29	6.5	0.625	3/16 x 3/32	0.625	3/16 x 3/32	5.875	4.5	5.787	0.177	0.413
40	56C	36.5	6.5	0.625	3/16 x 3/32	0.75	3/16 x 3/32	5.875	4.5	5.787	0.157	0.413
50	56C	43.5	8.5	0.625	3/16 x 3/32	1	1/4 x 7/64	5.875	4.5	5.787	0.157	0.413
63	56C	53	8.5	0.625	3/16 x 3/32	1.125	1/4 x 1/8	5.875	4.5	5.787	0.177	0.413
	145TC	53	8.5	0.875	3/16 x 3/32	1.125	1/4 x 1/8	5.875	4.5	5.787	0.177	0.413
75	56C	57	11	0.625	3/16 x 3/32	1.25	1/4 x 1/8	5.875	4.5	5.787	0.157	0.413
	145TC	57	11	0.875	3/16 x 3/32	1.25	1/4 x 1/8	5.875	4.5	5.787	0.157	0.413
	182/4TC	57	11	1.125	1/4 x 1/8	1.25	1/4 x 1/8	7.25	8.5	9	0.217	0.413
90	56C	67	13	0.625	3/16 x 3/32	1.375	3/16 x 9/64	5.875	4.5	5.787	0.157	0.413
	145TC	67	13	0.875	3/16 x 3/32	1.375	3/16 x 9/64	5.875	4.5	5.787	0.157	0.413
	182/4TC	67	13	1.125	1/4 x 1/8	1.375	3/16 x 9/64	7.25	8.5	9	0.217	0.413

Dimensions shown in this catalog are for general use only.  
For an exact drawing on a specific rating, please contact our sales office.

WORM GEAR REDUCERS  
ALUMINUM



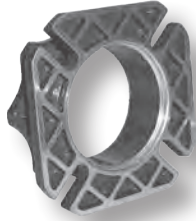
# WORLDWIDE GEAR REDUCERS

## Worm Gear Reducers

### Aluminum Worm Gear Reducers Accessories



#### Output Flanges



Box Size	Model Number	Alternate Model Number	List Price
30	ALM30-OPF	---	
40	ALM40-OPF	HALM40-OPF	
50	ALM50-OPF	HALM50-OPF	
63	ALM63-OPF	---	
75	ALM75-OPF	HALM75-OPF	
90	ALM90-OPF	HALM90-OPF	

#### Output Covers



Box Size	Model Number	Alternate Model Number	List Price
30	ALM30-OPC	---	
40	ALM40-OPC	HALM40-OPC	
50	ALM50-OPC	---	
63	ALM63-OPC	HALM63-OPC	
75	ALM75-OPC	HALM75-OPC	
90	ALM90-OPC	HALM90-OPC	

#### Torque Arms



Box Size	Model Number	Alternate Model Number	List Price
30	ALM30-TA	---	
40	ALM40-TA	HALM40-TA	
50	ALM50-TA	HALM50-TA	
63	ALM63-TA	HALM63-TA	
75	ALM75-TA	HALM75-TA	
90	ALM90-TA	HALM90-TA	

#### Single Output Shafts



Box Size	Model Number	Alternate Model Number	List Price
30	ALM30-S	HALM30-S	
40	ALM40-S	HALM40-S	
50	ALM50-S	HALM50-S	
63	ALM63-S	---	
75	ALM75-S	HALM75-S	
90	ALM90-S	HALM90-S	

#### Double Output Shafts



Box Size	Model Number	Alternate Model Number	List Price
30	ALM30-DS	HALM30-DS	
40	ALM40-DS	HALM40-DS	
50	ALM50-DS	HALM50-DS	
63	ALM63-DS	HALM63-DS	
75	ALM75-DS	HALM75-DS	
90	ALM90-DS	HALM90-DS	

WORM GEAR REDUCERS  
ALUMINUM

